



365B Skid Steer Loader



Engine	Perkins404D-22
Gross Power	35.7 kW (48 hp) @ 2,600 rpm
Net Power	33.5 kW (45 hp) @ 2,600 rpm
Breakout Force	20.4 kN
Rated Load	795 kg
Bucket Capacity	0.4 m ³
Operating Weight	2,950 kg

365B Skid Steer Loader



ENGINE

Emission Regulation	Tier 3 / Stage IIIA
Make & Model	Perkins404D-22
Gross Power	35.7 kW (48 hp) @ 2,600 rpm
Net Power	33.5 kW (45 hp) @ 2,600 rpm
Peak Torque	143 N·m @ 1,800 rpm
Number of Cylinders	4
Displacement	2.2 L
Cooling Type	water

ELECTRICAL SYSTEM

System Voltage	12 V
Alternator Output	80 amps

CHAIN TANK

Drive Chain Size	80 HS
------------------	-------

TIRES

Ply Type	pneumatic
Tire Size	10-16.5
Ply Rating	8

HYDRAULIC SYSTEM

System Type	closed
Standard Flow	68 L/min
Traveling Hydrostatic Pressure	35 MPa
Working Hydrostatic Pressure	20.7 MPa
Hydraulic Cycle Time, total	8.7 s
Raise	4.1 s
Dump	2.4 s
Lower (empty, float down)	2.2 s

OPERATING WEIGHT

Operating Weight	2,950 kg
------------------	----------

PERFORMANCE

Static Tipping Load	1,590 kg
Rated Load	795 kg
Boom Breakout Force	18.5 kN
Bucket Breakout Force	20.4 kN
Dump Clearance at Full Height Discharge	2,220 mm
Dump Reach at Full Height Discharge	540 mm
Maximum Dump Angle at Full Height	40°
Maximum Hinge Pin Height	2,923 mm
Bucket Rollback at Ground Level	30°
Ground Clearance	200 mm
Angle of Departure	28°
Front Clearance Radius	1,800 mm

SERVICE CAPACITIES

Fuel Tank	90 L
Engine Oil	7 L
Cooling System	13 L
Hydraulic Reservoir	52 L
Hydraulic System Total	64 L
Chain Tanks, Each	7 L

STANDARD EQUIPMENT

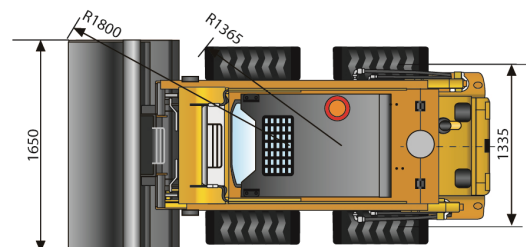
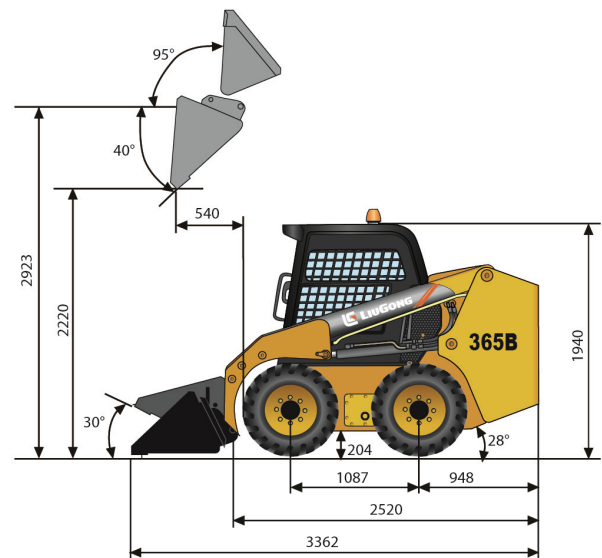
General Bucket –0.4 m³
Control Safety Interlock
Boom Interlock
Quick Coupler
Open ROPS/FOPS Cab
Flow Standard-68L/min

OPTIONAL EQUIPMENT

Enclosed ROPS/FOPS Cab with AC
Solid Tire
Tire Chains
Heater
A/C

OPTIONAL ATTACHMENTS

4 in 1 Bucket – 0.4 m ³	Auger
Rock Bucket – 0.4 m ³	Cold Planer
Scrap Bucket – 350 mm to 650 mm	Snow Blade
Hydraulic Hammer	Pick - up Sweeper
Fork	Hydraulic Shear
Lift Boom	



Unit: mm

Guangxi Liugong Machinery Co., Ltd.

No. 1 Liutai Road, Liuzhou, Guangxi 545007, PR China
T: +86 772 388 6124 E: overseas@liugong.com
www.liugong.com

03/2013 Designed by LiuGong

Specifications and designs are subject to change without notice. Machines shown may include optional equipment.